

PS 1220 External Power Supply • Installation Guide

Important Safety Instructions

! This symbol is intended to alert the user of important operating and maintenance (servicing) instructions in the literature provided with the equipment.

⚡ This symbol is intended to alert the user of the presence of uninsulated dangerous voltage within the product enclosure that may present a risk of electric shock. On the product, risk of shock may be indicated by this symbol.

Read these instructions.

Keep these instructions.

Heed all warnings.

Follow all instructions.

Do not use this apparatus near water.

Clean only with dry cloth.

Do not block any ventilation openings. Install in accordance with the manufacturer's instructions.

Do not install near any heat sources such as radiators, heat registers, stoves, or other apparatus (including amplifiers) that produce heat.

Do not defeat the safety purpose of the polarized or grounding-type plug. A polarized plug has two blades with one wider than the other. A grounding type plug has two blades and a third grounding prong. The wide blade or the third prong are provided for your safety. If the provided plug does not fit into your outlet, consult an electrician for replacement of the obsolete outlet.

Protect the power cord from being walked on or pinched particularly at plugs, convenience receptacles, and the point where they exit from the apparatus.

Only use attachments/accessories specified by the manufacturer.

Unplug this device apparatus during lightning storms or when unused for long periods of time.

WARNING: To reduce the risk of fire or electric shock, do not expose this apparatus to rain or moisture.
"This apparatus shall not be exposed to dripping or splashing and no objects filled with liquids, such as vases shall be placed on the apparatus"

Refer all servicing to qualified service personnel. Servicing is required when the apparatus has been damaged in any way, such as when the power-supply cord or plug is damaged, liquid has been spilled or objects have fallen into the apparatus, the apparatus has been exposed to rain or moisture, does not operate normally, or has been dropped.

WARNING: This apparatus is a Class I product. This product must be connected to a MAINS socket outlet with a protective earthing connection.

The mains plug is used as the disconnect device and shall remain readily operable.

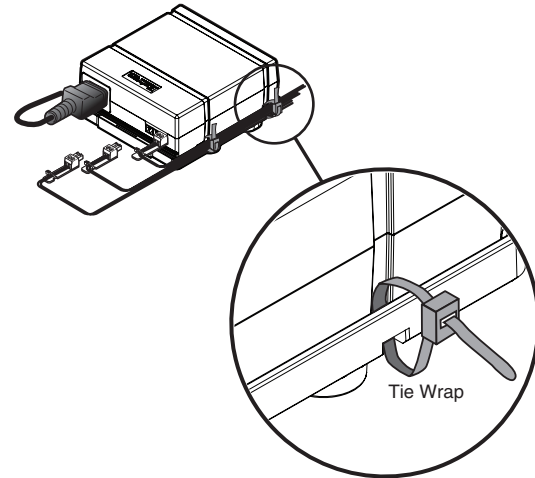
To prevent the risk of shock, do not attempt to service this equipment yourself because opening or removing covers may expose you to dangerous voltage or other hazards.

WARNING:
Power sources • This equipment should be operated only from the power source indicated on the product. This equipment is intended to be used with a main power system with a grounded (neutral) conductor. The third (grounding) pin is a safety feature, do not attempt to bypass or disable it.

Power disconnection • To remove power from the equipment safely, remove all power cords from the rear of the equipment, or the desktop power module (if detachable), or from the power source receptacle (wall plug).

Using Tie Wraps for Cable Strain Relief

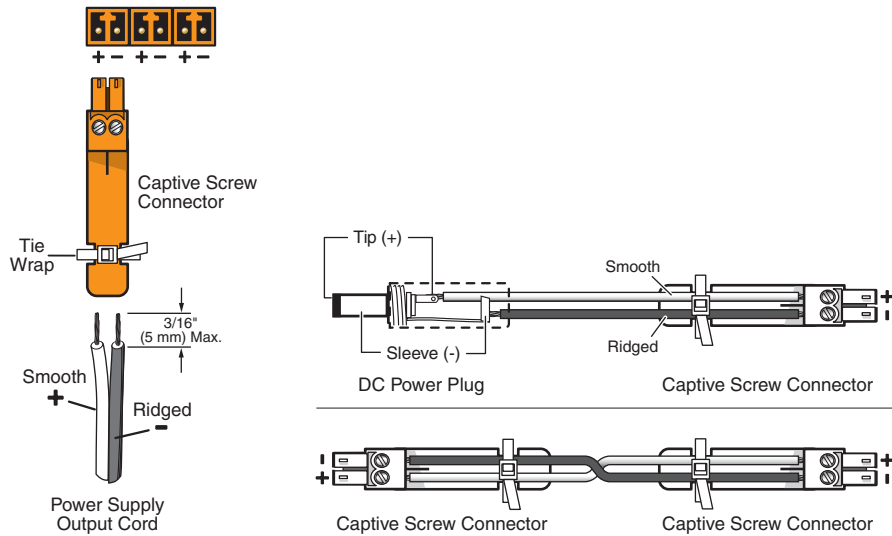
1. Attach the power supply to the ZipClip 200 mounting clip as described previously.
2. Fasten the power output cords to the ZipClip base.
 - a. Insert tie wraps (which are also called "zip ties") along the notches on the side of the power supply and through the tie wrap anchor points on the ZipClip, then around the cord.
 - b. Connect and pull the tie wraps until they are secure. Do not over tighten.



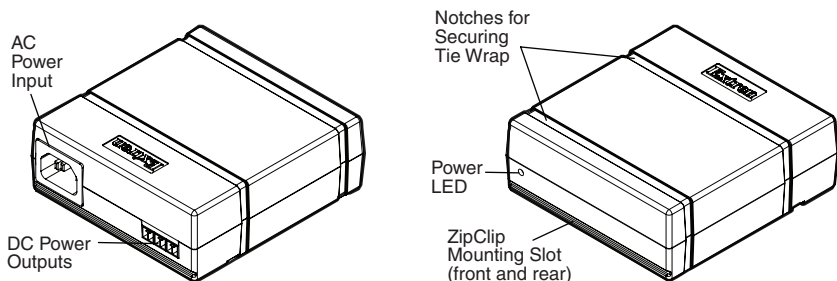
About the PS 1220 Power Supply

Model	Part Number	Power Output	Termination
PS 1220	70-967-01	24 watts, 12 VDC, 4 A peak, 2 A continuous; shared between all three outputs	Captive screw
ZipClip™ 200	101-001-01	—	—

Connector Wiring



Features



Using the ZipClip 200

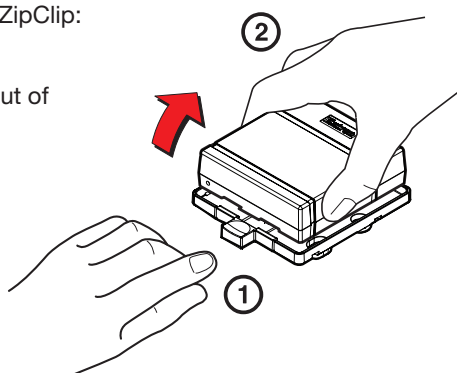
Attaching and Removing the Clip and Power Supply

To **attach** the power supply to the ZipClip 200 mounting clip:

1. Insert the bottom of the power supply down into the clip, starting with one end.
2. Pivot the other end down and press until the clip snaps into place.

To **remove** the power supply from the ZipClip:

1. Press the tab on the ZipClip.
2. Pivot the power supply and lift it out of the ZipClip.

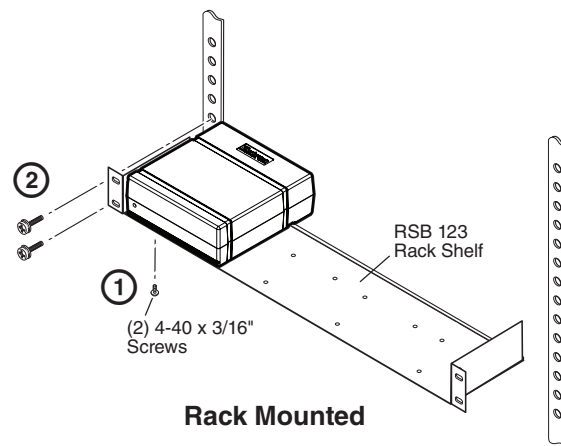


Rack Mounting

Mounting to a Rack Shelf

These power supplies are one quarter rack wide. Up to four power supplies can be mounted side by side directly onto a rack shelf.

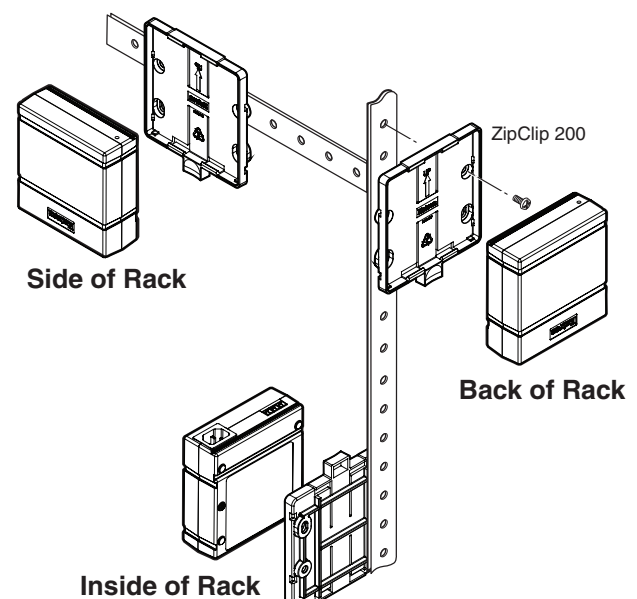
1. Align the threaded holes in the bottom of the power supply with the holes in an Extron rack shelf and fasten the supply to the shelf with two screws as shown below.



2. Bolt the rack shelf to the rack.

Mounting to Rack Rails Using a ZipClip

1. Fasten the ZipClip 200 mounting clip to a rack rail using two rack screws (see the diagram below).
2. Insert the bottom of the power supply down into the clip, starting with one end.
3. Pivot the other end toward the clip and press until the clip snaps into place.



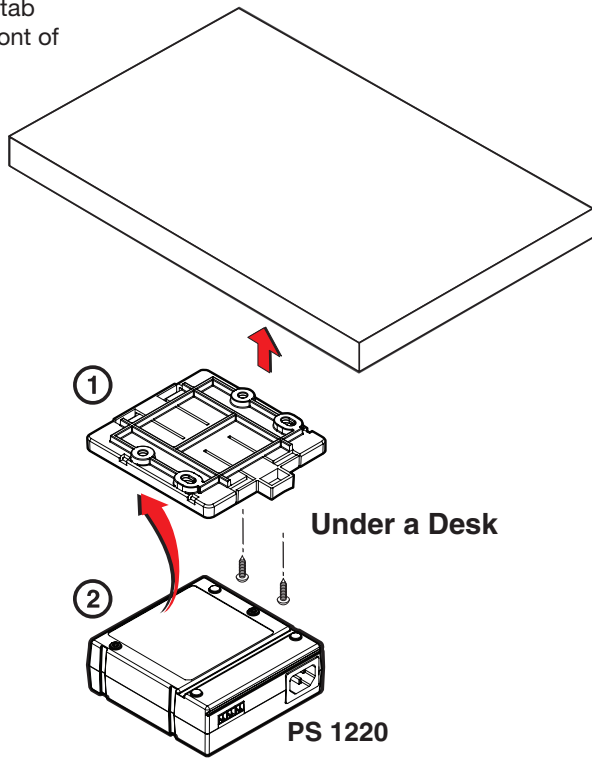
See the next page for furniture mounting instructions.

Extron External Power Supply • Installation Guide (continued)

Furniture Mounting

NOTE: The ZipClip is shipped with a set of four wood screws.

1. Attach the ZipClip to the mounting surface using two or more wood screws as shown below. Make sure the clip is oriented with the appropriate surface facing the mounting surface of the furniture and with the tab accessible from the front of the furniture.
2. Insert the power supply into the ZipClip as described previously and press to snap it into place.



Pole Mounting

Mounting the PS 1220 to a projector mount pole requires an optional Extron PMK Series Pole Mount kit. Follow the installation instructions included with the mounting kit.

Specifications

Power output	12 VDC, 2 A, 24 watts; shared between all three outputs
Power input	100 VAC to 240 VAC, 50-60 Hz
No load	0.3 watts
Full power	28.5 watts, 0.6 A maximum
Temperature/humidity	Storage: -40 to +158 °F (-40 to +70 °C) / 10% to 90%, noncondensing Operating: +32 to +122 °F (0 to +50 °C) / 10% to 90%, noncondensing
Cooling	Convection, no vents
Mounting	
Rack mount	Yes, with optional 1U rack shelf, with the included ZipClip™ 200 mounting clip, or by securing to rack rails with tie wraps
Furniture mount	Yes, with the included ZipClip 200 mounting clip
Pole mount	Yes, using tie wraps
Enclosure type	High impact, high temperature plastic
Enclosure dimensions	1.7" H x 4.3" W x 4.5" D (1U high, quarter rack wide) (4.2 cm H x 10.9 cm W x 11.4 cm D)
Product weight	0.8 lb (0.4 kg)
Shipping weight	3 lbs (2 kg)
Vibration	Operating: 10-250 Hz, 0.25 Gp-p, 3 axes, 15 min. sweep
Regulatory compliance	
Safety, EMI/EMC	BSMI, CCC, CE, C-tick, c-UL, CISPR 22 Class B, CISPR 24, FCC Class B, GS, KC, NEC Class 2, PSE, S-mark, UL
Environmental	Complies with the appropriate requirements of CEC, EU code of conduct, Korea Energy Certification, Australia Energy Safe Certification, RoHS, WEEE. These power supplies meet energy efficiency level V and are marked with the UL Environment Energy Efficiency Certification (EEC) Mark.
MTBF	300,000 hours
Warranty	3 years parts and labor

NOTE: Specifications are subject to change without notice.

8.0-041612-D12

Safety Instructions • English

- This symbol is intended to alert the user of important operating and maintenance (servicing) instructions in the literature provided with the equipment.
- This symbol is intended to alert the user of the presence of uninsulated dangerous voltage within the product enclosure that may present a risk of electric shock.

Cautions and General Guidelines

- Read instructions** • Read and understand all safety and operating instructions before using the equipment.
- Retain instructions** • The safety instructions should be kept for future reference.
- Follow warnings** • Follow all warnings and instructions marked on the equipment or in the user information.
- Avoid attachments** • Do not use tools or attachments that are not recommended by the equipment manufacturer because they may be hazardous.
- Avoid water** • Do not use this or other electrical equipment near water. Clean the device with a dry cloth only.

Warnings

Power and electrical safety

WARNING: To reduce the risk of fire or electric shock, do not expose this apparatus to rain or moisture. This device shall not be exposed to dripping or splashing, and no objects filled with liquids, such as vases, shall be placed on this device.

Power sources • This equipment should be operated only from the power source indicated on the product. This equipment is intended to be used with a main power system with a grounded (neutral) conductor. The third (grounding) pin is a safety feature, do not attempt to bypass or disable it.

WARNING: The PS 1220 is a Class I product, which must be connected only to a mains socket outlet with a protective earthing (grounding) connection.

Power disconnection • To remove power from the equipment safely, remove all power cords from the rear of the equipment, or the desktop power module (if detachable), or from the power source receptacle (wall plug).

Power plug as a disconnection device • The mains plug is used as the disconnect device and shall remain readily operable. In other words, it the power plug must be accessible and easy to unplug from the power source.

When to unplug the unit • Unplug this device during lightning storms or when it will be unused for long periods. Unplug the device before servicing.

Power cord protection • Power cords should be routed so that they are not likely to be stepped on or pinched by items placed upon or against them. Protect the cord particularly at plugs, convenience receptacles, and the points where they exit the devices.

Polarized and grounding plugs • Do not defeat the safety purpose of the polarized or grounding type plug. A polarized plug has two blades with one wider than the other. A grounding type plug has two blades and a third grounding prong. The wide blade or the third prong are provided for your safety. If the provided plug does not fit into your outlet, consult an electrician to replace the obsolete outlet with a safer one.

Servicing • Refer all servicing to qualified service personnel. Servicing is required when the apparatus has been damaged in any way, such as when the power-supply cord or plug is damaged, liquid has been spilled into or objects have fallen into the device, or when the device has been exposed to rain or moisture, does not operate normally, or has been dropped. To prevent the risk of shock, do not attempt to service this equipment yourself because opening or removing covers may expose you to dangerous voltage or other hazards.

Ventilation, mounting, and temperature

Ventilation slots and openings • If the equipment has slots or holes in the enclosure, these are provided to prevent overheating of sensitive components inside. Do not block any ventilation opening, as this may cause the product to malfunction. Install the device in accordance with the manufacturer's instructions.

Temperature • Do not install electronic devices near any heat sources such as radiators, heat registers, stoves, or other apparatus (including amplifiers) that produce heat.

Consignes de Sécurité • Français

- Ce symbole sert à avertir l'utilisateur que la documentation fournie avec le matériel contient des instructions importantes concernant l'exploitation et la maintenance (réparation).
- Ce symbole sert à avertir l'utilisateur de la présence dans le boîtier de l'appareil de tensions dangereuses non isolées posant des risques d'électrocution.

Attention

- Lire les instructions** • Prendre connaissance de toutes les consignes de sécurité et d'exploitation avant d'utiliser le matériel.
- Conservier les instructions** • Ranger les consignes de sécurité afin de pouvoir les consulter à l'avenir.
- Respecter les avertissements** • Observer tous les avertissements et consignes marqués sur le matériel ou présentés dans la documentation utilisateur.
- Eviter les pièces de fixation** • Ne pas utiliser de pièces de fixation ni d'outils non recommandés par le fabricant du matériel car cela risquerait de poser certains dangers.

Avertissement

Alimentations • Ne faire fonctionner ce matériel qu'avec la source d'alimentation indiquée sur l'appareil. Ce matériel doit être utilisé avec une alimentation principale comportant un fil de terre (neutre). Le troisième contact (de mise à la terre) constitue un dispositif de sécurité; n'essayez pas de la contourner ni de la désactiver.

Déconnexion de l'alimentation • Pour mettre le matériel hors tension sans danger, déconnectez tous les cordons d'alimentation de l'arrière de l'appareil ou du module d'alimentation de bureau (s'il est amovible) ou encore de la prise secteur.

Protection du cordon d'alimentation • Achetez les cordons d'alimentation de manière à ce que personne ne risque de marcher dessus et à ce qu'ils ne soient pas écrasés ou pincés par des objets.

Réparation-maintenance • Faire exécuter toutes les interventions de réparation-maintenance par un technicien qualifié. Aucun des éléments internes ne peut être réparé par l'utilisateur. Afin d'éviter tout danger d'électrocution, l'utilisateur ne doit pas essayer de procéder lui-même à ces opérations car l'ouverture ou le retrait des couvercles risquent de l'exposer à de hautes tensions et autres dangers.

Fentes et orifices • Si le boîtier de l'appareil comporte des fentes ou des orifices, ceux-ci servent à empêcher les composants internes sensibles de surchauffer. Ces ouvertures ne doivent jamais être bloquées par des objets.

安全须知 • 中文

- 这个符号提示用户该设备用户手册中有重要的操作和维护说明。
- 这个符号警告用户该设备机壳内有暴露的危险电压,有触电危险。

注意

- 阅读说明书** • 用户使用该设备前必须阅读并理解所有安全和使用说明。
- 保存说明书** • 用户应保存安全说明书以备将来使用。
- 遵守警告** • 用户应遵守产品和用户指南上的所有安全操作说明。
- 避免追加** • 不要使用该产品厂商没有推荐的工具或追加设备,以避免危险。

警告

- 电源** • 该设备只能使用产品上标明的电源。设备必须使用有地线的供电系统供电。第三条线(地线)是安全设施,不能不用或跳过。
- 拔掉电源** • 为安全地从设备拔掉电源,请拔掉所有设备后或桌面电源的电源线,或任何接到市电系统的电源线。
- 电源线保护** • 妥善布线,避免被踩踏,或重物挤压。
- 维护** • 所有维修必须由认证的维修人员进行。设备内部没有用户可以更换的零件。为避免出现触电危险不要自己试图打开设备盖子维修该设备。
- 通风孔** • 有些设备机壳上有通风槽或孔,它们是用来防止机内敏感元件过热。不要有任何东西挡住通风孔。

Sicherheitsanleitungen • Deutsch

- Dieses Symbol soll dem Benutzer in der im Lieferumfang enthaltenen Dokumentation besonders wichtige Hinweise zur Bedienung und Wartung (Instandhaltung) geben.
- Dieses Symbol soll den Benutzer darauf aufmerksam machen, daß im Inneren des Gehäuses dieses Produktes gefährliche Spannungen, die nicht isoliert sind und die einen elektrischen Schock verursachen können, herrschen.

Achtung

- Lesen der Anleitungen** • Bevor Sie das Gerät zum ersten Mal verwenden, sollten Sie alle Sicherheits- und Bedienungsanleitungen genau durchlesen und verstehen.
- Aufbewahren der Anleitungen** • Die Hinweise zur elektrischen Sicherheit des Produktes sollten Sie aufbewahren, damit Sie im Bedarfsfall darauf zurückgreifen können.
- Befolgen der Warnhinweise** • Befolgen Sie alle Warnhinweise und Anleitungen auf dem Gerät oder in der Benutzerdokumentation.
- Keine Zusatzgeräte** • Verwenden Sie keine Werkzeuge oder Zusatzgeräte, die nicht ausdrücklich vom Hersteller empfohlen wurden, da diese eine Gefahrenquelle darstellen können.

Vorsicht

- Stromquellen** • Dieses Gerät sollte nur über die auf dem Produkt angegebene Stromquelle betrieben werden. Dieses Gerät wurde für eine Verwendung mit einer Hauptstromleitung mit einem geerdeten (neutralen) Leiter konzipiert. Der dritte Kontakt ist für einen Erdschluß, und stellt eine Sicherheitsfunktion dar. Diese sollte nicht umgangen oder außer Betrieb gesetzt werden.
- Stromunterbrechung** • Um das Gerät auf sichere Weise vom Netz zu trennen, sollten Sie alle Netzkabel aus der Rückseite des Gerätes, aus der externen Stromversorgung (falls dies möglich ist) oder aus der Wandsteckdose ziehen.
- Schutz des Netzkabels** • Netzkabel sollten stets so verlegt werden, daß sie nicht im Weg liegen und niemand darauf treten kann oder Objekte darauf- oder unmittelbar dagegengestellt werden können.
- Wartung** • Alle Wartungsmaßnahmen sollten nur von qualifiziertem Servicepersonal durchgeführt werden. Die internen Komponenten des Gerätes sind wartungsfrei. Zur Vermeidung eines elektrischen Schocks versuchen Sie in keinem Fall, dieses Gerät selbst öffnen, da beim Entfernen der Abdeckungen die Gefahr eines elektrischen Schlags und/oder anderer Gefahren bestehen.
- Schlitze und Öffnungen** • Wenn das Gerät Schlitze oder Löcher im Gehäuse aufweist, dienen diese zur Vermeidung einer Überhitzung der empfindlichen Teile im Inneren. Diese Öffnungen dürfen niemals von anderen Objekten blockiert werden.

仅适用于海拔 2000 m 以下地区安全使用。
Use only at altitudes not more than 2000 m above sea level.

仅适用于非热带气候条件下地区安全使用。
Use only in non-tropical conditions.

Extron Headquarters +1.800.633.9876 (Inside USA/Canada Only)	Extron Europe +800.3987.6673 (Inside Europe Only) +31.33.453.4040 FAX: +31.33.453.4050	Extron Asia +800.7339.8766 (Inside Asia Only) +65.6383.4400 FAX: +65.6383.4664	Extron Japan +81.3.3511.7655 FAX: +81.3.3511.7656	Extron China +4000.EXTRON +4000.398766 (Inside China Only) +86.21.3760.1568 FAX: +86.21.3760.1566	Extron India 1800.3070.3777 (Inside India Only) +91.80.3055.3777 FAX: +91.80.3055.3737
Extron USA - West +1.714.491.1500 FAX: +1.714.491.1517	Extron USA - East +1.919.850.1000 FAX: +1.919.850.1001		Extron Middle East +971.4.2991800 FAX: +971.4.2991880		Extron Korea +82.2.3444.1571 FAX: +82.2.3444.1575